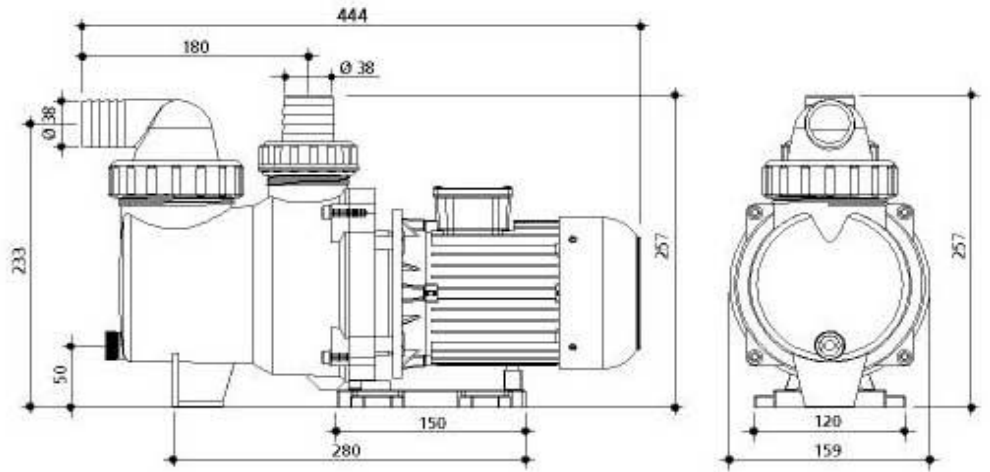
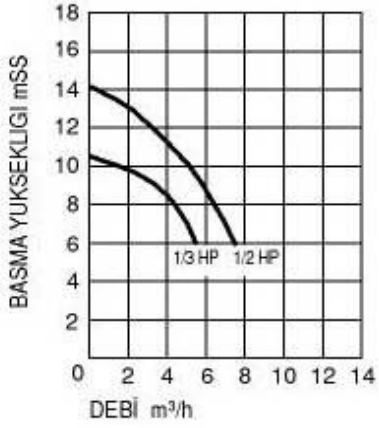




#### PERFORMANS EĞRİLERİ



| POMPA TİPİ | HP   | CONDEN-SATOR | AMPER<br>II<br>220 V | BASMA YÜKSEKLİĞİ mSS |      |      |      |      |      |    |
|------------|------|--------------|----------------------|----------------------|------|------|------|------|------|----|
|            |      |              |                      | 6                    | 7    | 8    | 9    | 10   | 13   | 14 |
|            |      |              |                      | KAPASİTE m³/h        |      |      |      |      |      |    |
| STR-250MIC | 0,33 | -            | 1,20                 | 5,70                 | 5,10 | 4,30 | 3,50 | 1,50 | -    | -  |
| STR-370MIC | 0,50 | -            | 2,20                 | 7,50                 | 7,00 | 6,50 | 5,90 | 5,20 | 2,10 | -  |